



FD711 *HIGH-TRACTION / HIGH-SCRUB*

Drive Radial



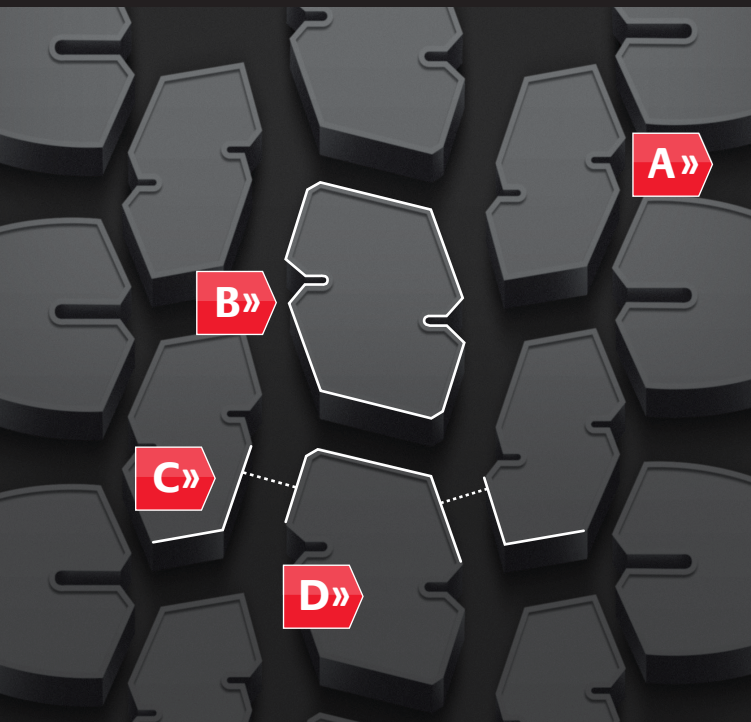
OUTSTANDING TRACTION & DURABLE

The Firestone FD711 is a radial drive tire specifically recommended for high-traction and high-scrub applications in long- and regional-haul service, light-to-moderate on-/off-highway service, and pickup-and-delivery service.



Firestone

FD711 FEATURES & BENEFITS



A»

A

OPEN SHOULDER DESIGN

promotes exceptional traction

B»

B

AGGRESSIVE BLOCKS WITH MULTIPLE GRIPPING EDGES

provide biting edges for exceptional grip

C»

C

STAGGERED TREAD BLOCK DESIGN

distributes forces evenly to resist irregular wear

D»

D

TOUGH TREAD COMPOUNDS

provide superior wear and abrasion resistance for ultra-long tread life



DEEP HORIZONTAL LUGS

for long original tread life and improved traction

LATERAL SHOULDER CHANNELS

channel water and slush out of the footprint for improved traction

OPEN SHOULDER TREAD DESIGN

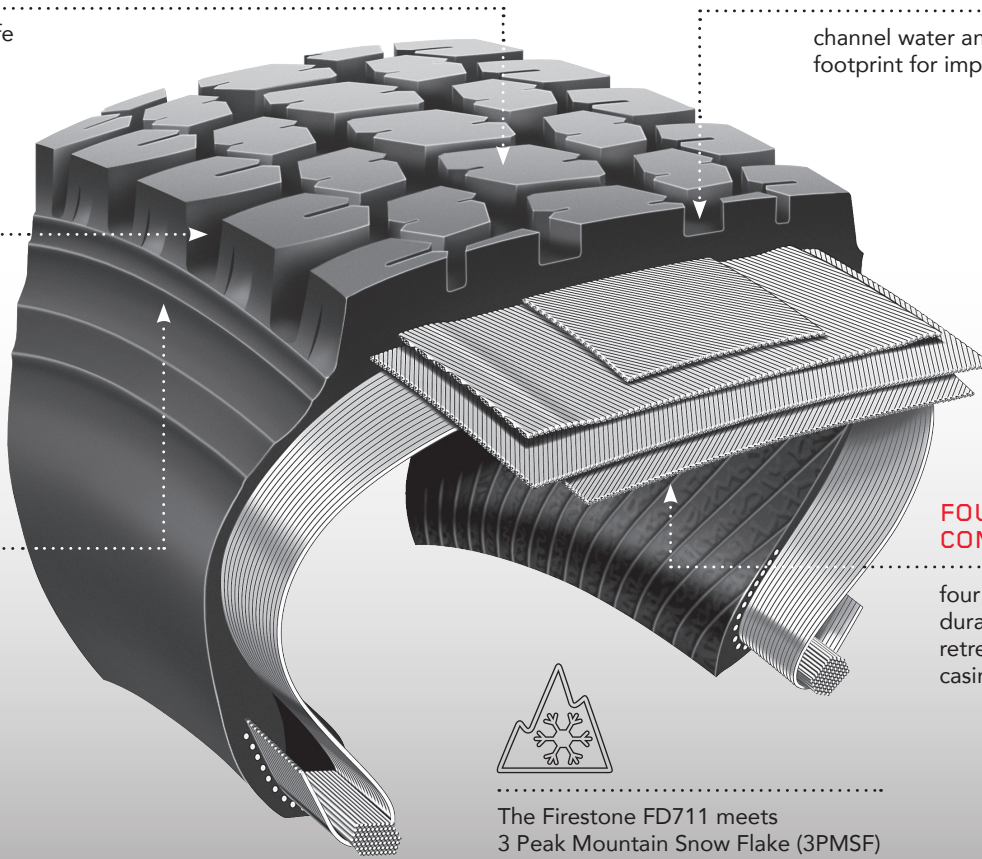
helps provide traction and grip in mud and snow

CAP/BASE COMPOUNDING

combines a slow wearing cap compound with a cool running base that shields the casing from damaging heat to enhance retreadability.

FOUR-BELT CONSTRUCTION

four steel belts help casing durability and enhance retreadability by combating casing penetration



The Firestone FD711 meets 3 Peak Mountain Snow Flake (3PMSF) criteria for snow traction performance.

FD711 TIRE SIZE	Load Range	Article Number	Weight [lbs/kg]	Meas. Rim [in]	Overall Diameter [in/mm]	Overall Width [in/mm]	Static Loaded Radius [in/mm]	Overall Width Loaded [in/mm]	Revs [per mile/km]	Tread Depth [32"/mm]	Max Load Capacity		Inflation Pressure [PSI/kPa]	Max Speed [mph/kph]
											Single [lbs/kg]	Dual [lbs/kg]		
11R22.5 metric	H	011-473	125 57	8.25	41.9 1064	10.7 272	19.6 498	11.8 300	496 308	26 21	6610 3000	6005 2725	120 830	75 120
11R24.5 metric	H	011-474	133 60	8.25	43.9 1115	10.7 272	20.6 523	11.8 300	473 294	26 21	7160 3250	6610 3000	120 830	75 120

Warranty and additional technical information is available at FirestoneTruckTires.com, or from your dealer or truck stop.

DEPENDABLE. DURABLE. GUARANTEED.*

At Firestone, we back up our promises so you never have to back down on yours. That's why we guarantee the durability and dependability of our tires with an unparalleled 90 day buy-and-try guarantee.

See your Firestone Sales Representative for details.

*Certain conditions and limitations apply.

